



SYNOX 2.0® PF

Precoat candle filter



The new generation of candle filter offers the most efficient and economical solution

- Reduced pre-run
- Reduced beer losses
- Reduced cleaning water consumption



Candle cleaning

The new generation of candle filter for precoat filtration presented by the market leader

The SYNOX 2.0® offers excellent value for all kind of precoat filtration within a hygienic environment. Typical applications include filtration of beer, wine; all clear beverages as well as liquid food components such as gelatine, sugar syrup, edible oil and the like.

New features

- New CFD optimized flow pattern (= computational fluid dynamics)
- New and patented inlet distributor
- New cleaning device

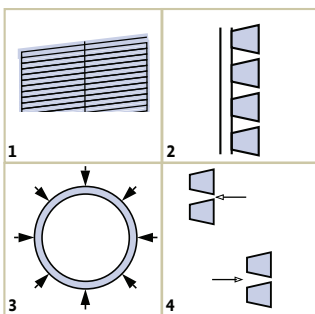
Benefits

- Reduced beer losses
- Capability of small batch handling
- Reduced pre-run
- Reduced interphase between brands
- Reduced cleaning water consumption

Proven features

- Unique, patented 25mm STABOX® candle completely in stainless steel for high packing density with reduced void volume; best utilisation of slurry space
- Gasket free candle fixing for minimum maintenance
- Hygienic vessel design according to EHEDG guidelines
- Internal cleaning of candles in situ, without removing candles from filter
- Compatibility with the new generation of regenerable filter media
- Minimum required space above the filter as candles are mounted from the bottom

STABOX® candle

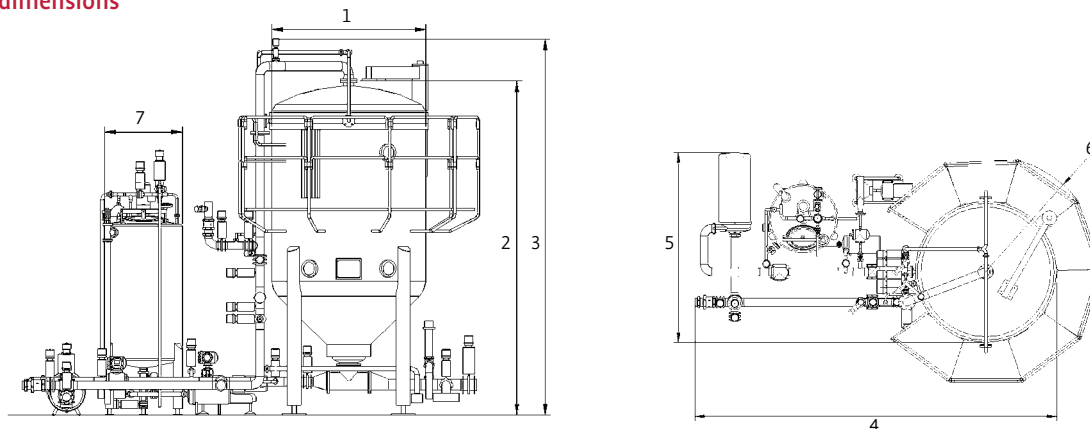


- 1 Spiral of V4A
- 2 Calibrated openings
- 3 High resistance
- 4 No obstructions during filtration
- 5 Perfect cleaning

Technical data

SYNOX 2.0® PF	Filter area Sqm	Sludge holding capacity in liters	Vessel volume in hl	Operating pressure	Capacity in hl/hr
800	12-22	300-460	8.5 / 11.5	7 bar / 100 °C	60-110
1100	24-46	640-1010	17 / 21 / 23	7 bar / 100 °C	120-230
1300	45-70	1150-1500	29 / 32 / 34	7 bar / 100 °C	225-350
1500	67-95	1670-2090	42 / 44 / 47	9 bar / 100 °C	335-475
1800	90-139	2270-3020	59 / 62 / 65 / 69	9 bar / 100 °C	450-695
2000	121-175	3080-3770	79 / 83 / 88	9 bar / 100 °C	605-875
2300	153-237	3870-5130	104 / 109 / 114 / 121	9 bar / 100 °C	765-1185

Main dimensions



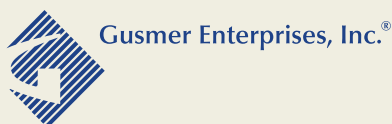
Dimensions (mm)

SYNOX 2.0® PF	DOSIMAT®	1	2	3	4	5	6	7
800	250	800	3156	3543	3100	1700	-	906
1100	500	1120	3544	3931	3500	1900	-	906
1300	500	1300	3829	4235	3800	2000	1291	906
1500	500	1500	3999	4444	4000	2200	1390	906
1800	800	1800	4221	4665	4500	2500	1540	906
2000	800	2000	4385	4933	4700	2700	1641	906
2300	1100	2300	4638	5228	5200	3000	1790	1256

Bucher Filtrix Systems AG – Let's be clear!

Bucher Filtrix Systems AG is the world leading manufacturer of turn-key filtration systems for the beverage industries. Apart from the well-known candle filter for the pre-coat filtration with Kieselgur and PVPP, Bucher Filtrix Systems AG also develops, designs, and manufactures other advanced technologies such as filters for sugar syrup filtration, filter systems for beer-recovery and much more.

Bucher Filtrix Systems AG is a business partner with a long-term industrial focus, committed to fair partnership with our customers, employees, and business associates.



Gusmer Enterprises, Inc.®

North American Distributor

Gusmer Enterprises

West Coast Tel: 866.213.1131 Fax: 559.485.4254

East Coast Tel: 908.301.1811 Fax: 908.301.1812

sales@gusmerenterprises.com

www.GusmerBeer.com

Technical changes reserved.